

V-BAR REPLACEMENT

READ THESE INSTRUCTIONS COMPLETELY BEFORE YOU START. IF YOU DON'T UNDERSTAND THESE INSTRUCTIONS, PLEASE CALL 800-453-1192 FOR ASSISTANCE

Procedure for replacing the V-bar on Little Giant Ladder Systems **HYPERLITE™** and **HYPERLITE™ SUMOSTANCE®** ladders.

1. Failure to comply with all instructions may result in serious injury.
2. Make sure this kit is compatible with your ladder. Before installing this kit, identify all kit components. If any components are missing, damaged or if you have any questions concerning the use of this kit on Little Giant Ladder Systems products, please contact our Customer Experience Team at 800-453-1192. Do not substitute any components.
3. Inspect the ladder before installing this kit. Repair or replace any damaged or missing parts before using the ladder. Use only Little Giant Ladder Systems replacement parts. If you are unable to repair it, discard the ladder.

COMPONENTS IN KIT



TOOLS NEEDED

DRILL WITH
13/64" DRILL BIT



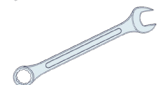
HAMMER



CHISEL



3/8" WRENCH

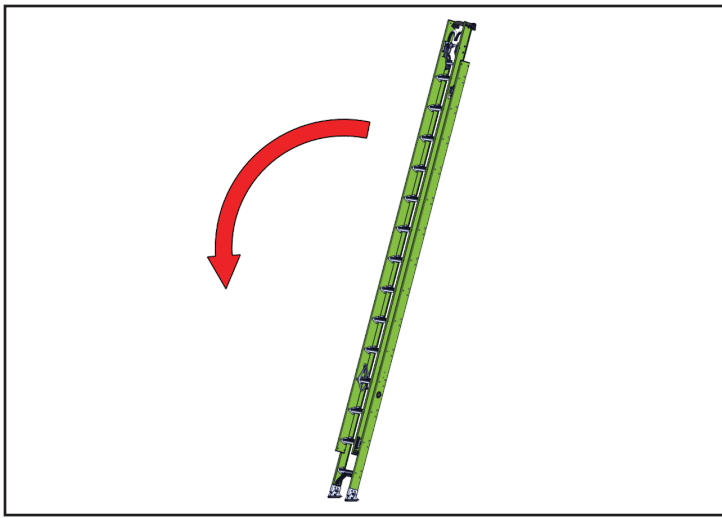


1/8" ALLEN WRENCH

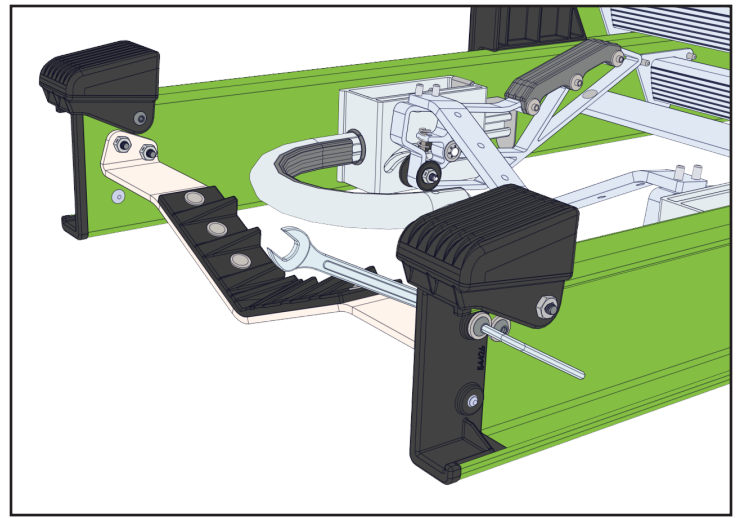


NOTE: IF ANY OTHER PART OF THE LADDER IS DAMAGED BEFORE OR DURING THE PROCESS OF INSTALLING AND/OR REPAIRING, PLEASE CONTACT OUR CUSTOMER EXPERIENCE TEAM FOR ASSISTANCE AT 800-453-1192.

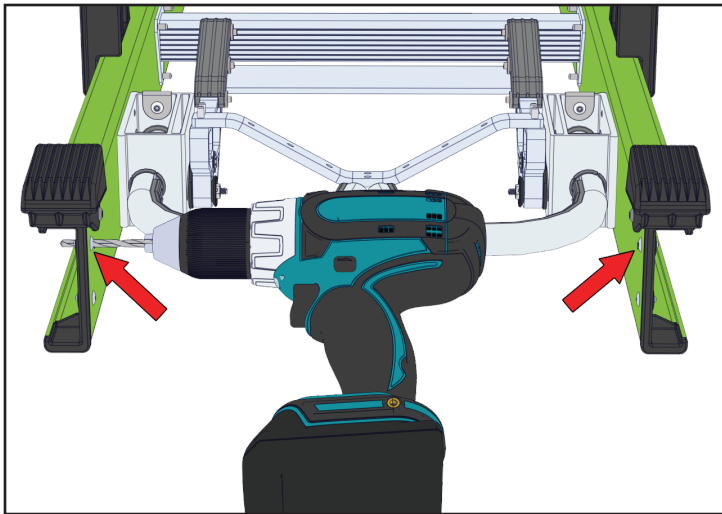
DO NOT USE A DAMAGED LADDER!



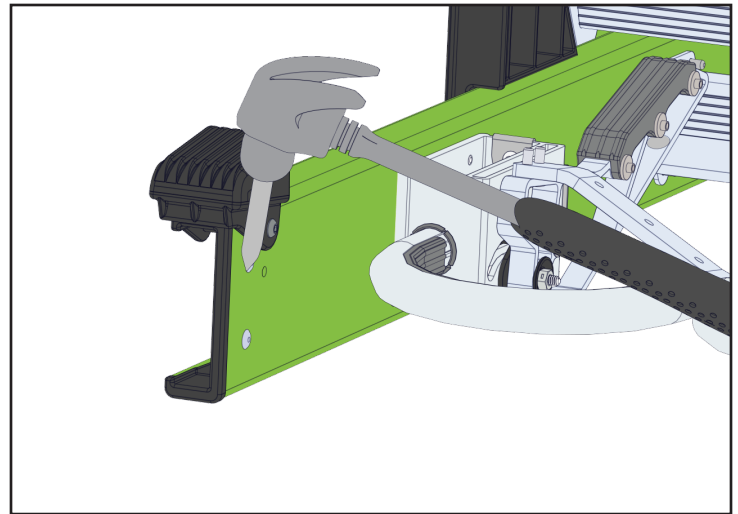
1. Lay the ladder down with the fly section facing the ground. If the V-bar is being added to the ladder skip to step 3.



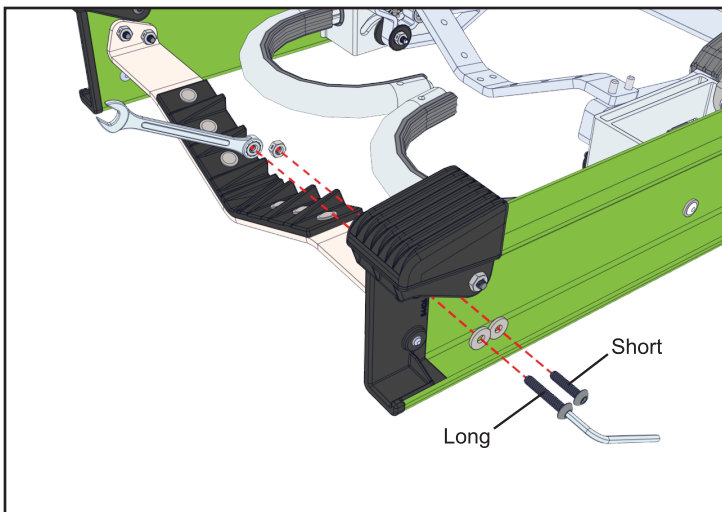
2. Using a 1/8" Allen wrench and 3/8" wrench, remove and discard the old V-bar and hardware. Move ahead to step 5.



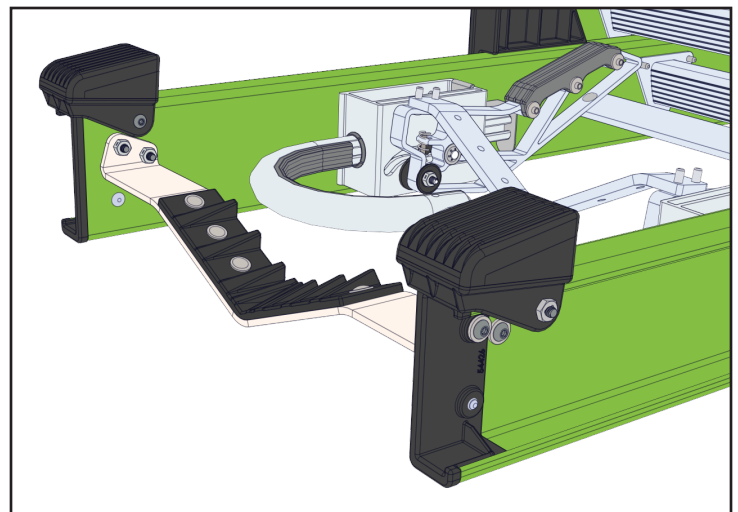
3. Using a drill and 13/64" bit, drill completely through the center of the rivets next to the wall pads.



4. Use a hammer and chisel to remove any remaining rivet head material. Be careful not to damage the fiberglass rail.



5. Align the new V-bar with the holes, then using a 1/8" Allen wrench and 3/8" wrench, tighten the new fasteners in the order shown. Make sure the long screw is closest to the end of the rail.



6. Confirm the V-bar is secure before use.